



SUA-110M38x-x-S235

Shell Material :

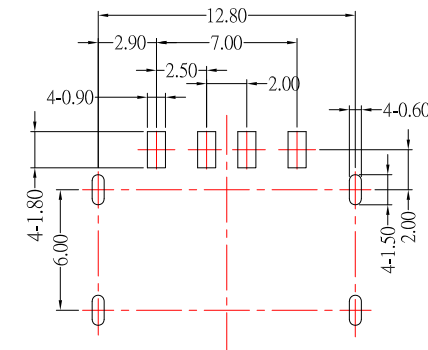
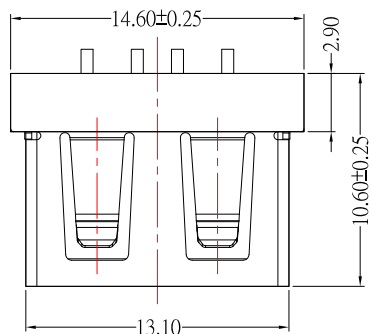
Blank : BRASS

I : SPCC

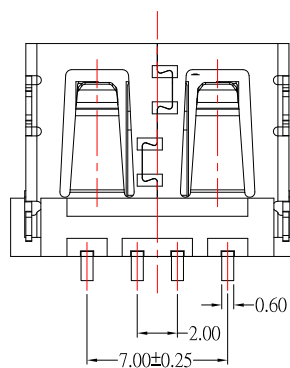
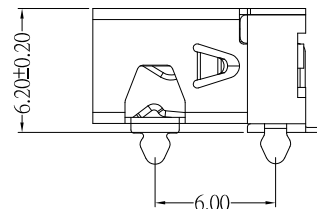
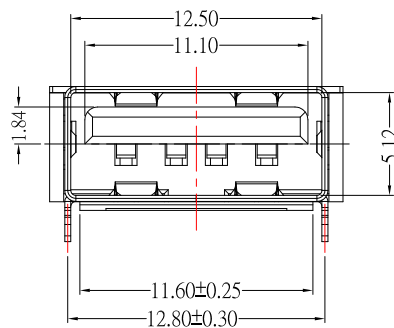
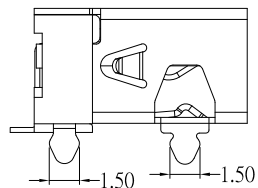
Color :

White : W

Black : B



RECOMMENDED PCB LAYOUT



SPECIFICATIONS

Electrical:

- 1.Contact Resistance: 30 mΩ Max
- 2.Insulation Resistance: 1,000 MΩ Min
- 3.Dielectric Withstanding Voltage: 500 V DC
- 4.Insertion Force: 30N Max
- 5.Extraction Force: 10N Min

Material:

- 1.Housing: LCP
- 2.Contact: Phosphor Bronze
- 3.Shell: Brass / SPCC

Finish:

- 1.Contact: Plated Gold in Mating Area ;
Tin Plated on Solder Balls ;
Nickel under plated overall
- 2.Shell: Nickel under Plated surface layer



TOLERANCE UNLESS OTHERWISE STATED :

Up to 5 ±0.2
Above 5 ~ 15 ±0.3
Above 15 ~ 30 ±0.4
Above 30 ~ 50 ±0.5
Angle ±0.3°

3RD. ANGEL'S



UNITS

MM

DRAWN BY: Jack Lu
CHECKED BY: Jacky Chen
APPROVED BY: Tony Kao

DATE: 07/12/18
DATE: 07/12/18
DATE: 07/12/18

MAT'L
FINISH
SCALE: 1 : 1
SHEET NO.: 1 of 1

TITLE: CONNECTOR
MODLE: USB A/F 短體10.0 無捲邊 SMT , 四腳插板
DWG NO.: SUA-110M38x-x-S235
PART NO.: SUA-110M38x-x-S235

SIZE: A4
VER: R1

ITEM NO.	DESCRIPTION	DRAWN	DATE
1	更新圖面	Jack	071218